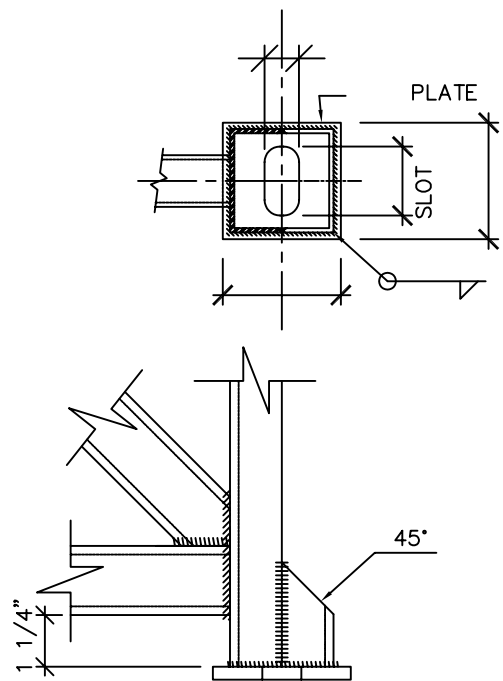


BRACED FRAME SCHEDULE					
MARK	VERTICALS	DIAGS. & HORIZ.	HEIGHT		NO. OF DIAGS.
			LEFT	RIGHT	
Z1					
Z2					
Z3					
Z4					



9.1 DETAIL  
NTS