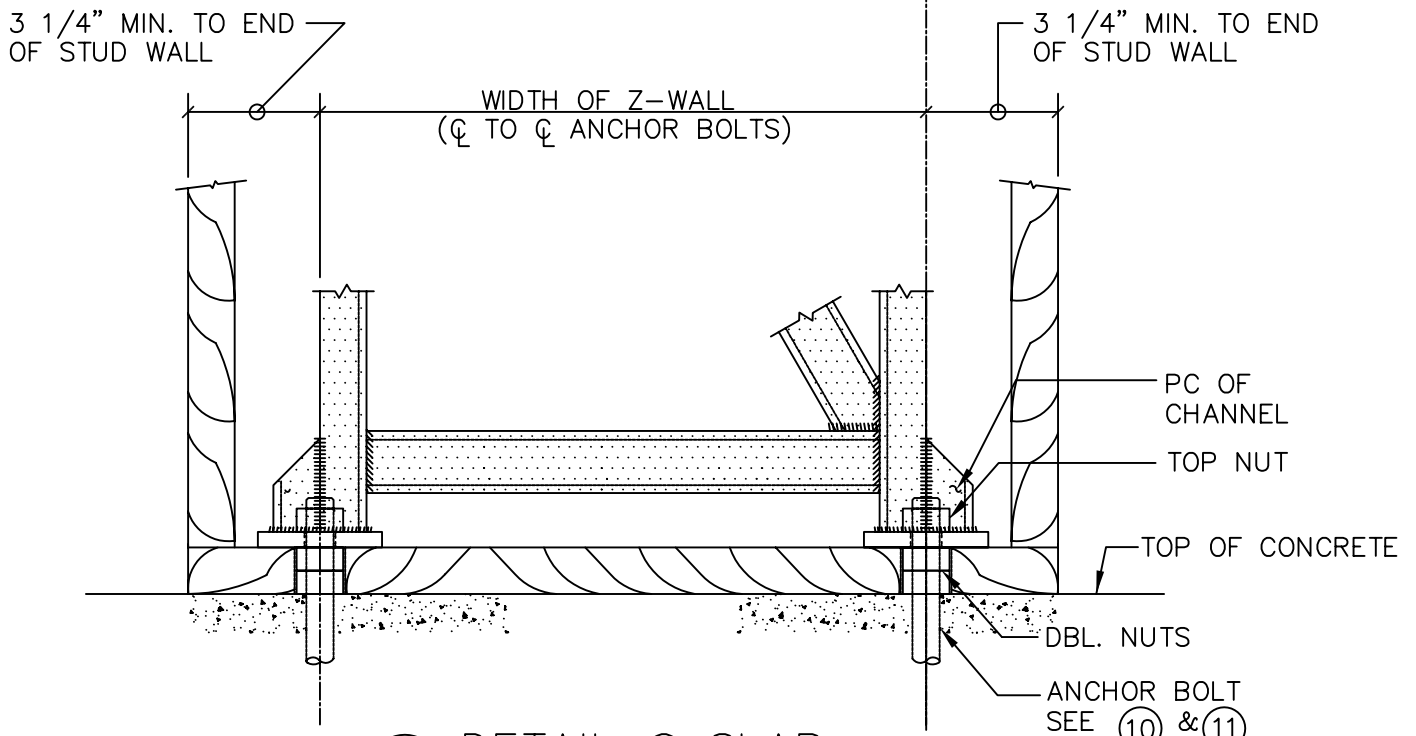


⑥ PLAN DETAIL @ PLATE
 N.T.S.



⑦ DETAIL @ SLAB
 N.T.S.