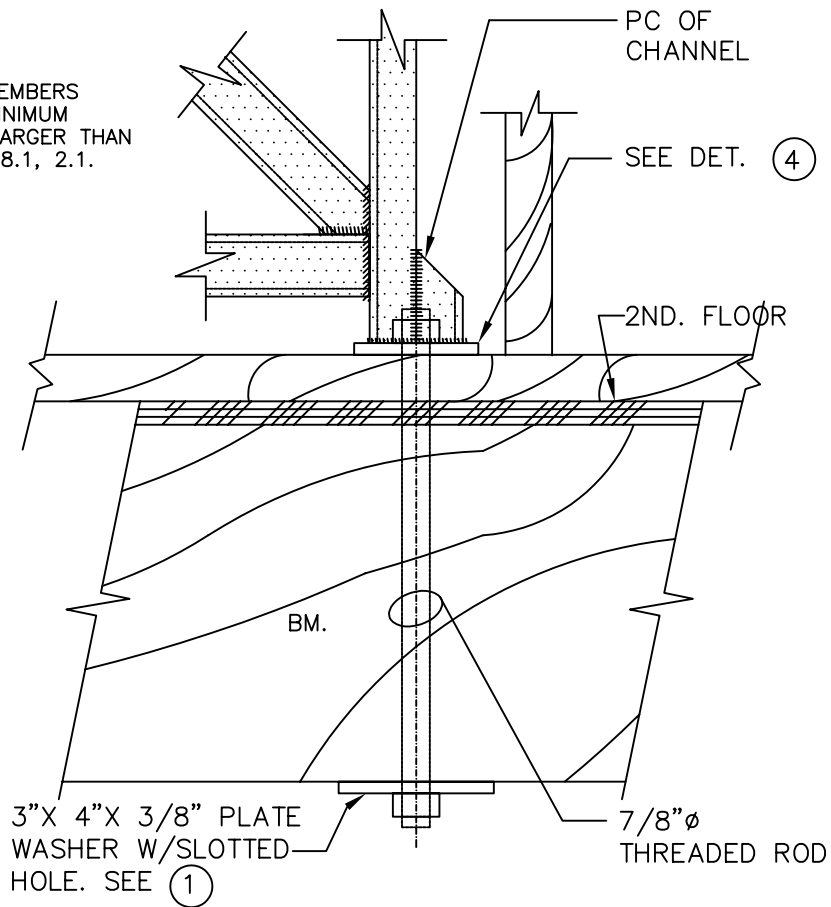
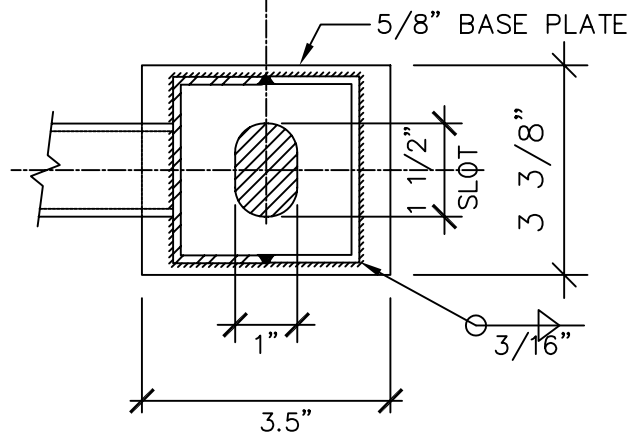


NOTE: BOLT HOLES THROUGH WOOD MEMBERS (NOT CONTAINING NUTS) SHALL BE A MINIMUM OF 1/32" AND A MAXIMUM OF 1/16" LARGER THAN THE BOLT DIA. PER THE NDS, SECTION 8.1, 2.1.



3 COND. @ 2ND. FLOOR
N.T.S.

℄ TO ℄ (SEE ELEVATIONS)



4 PLAN DETAIL @ PLATE
N.T.S.