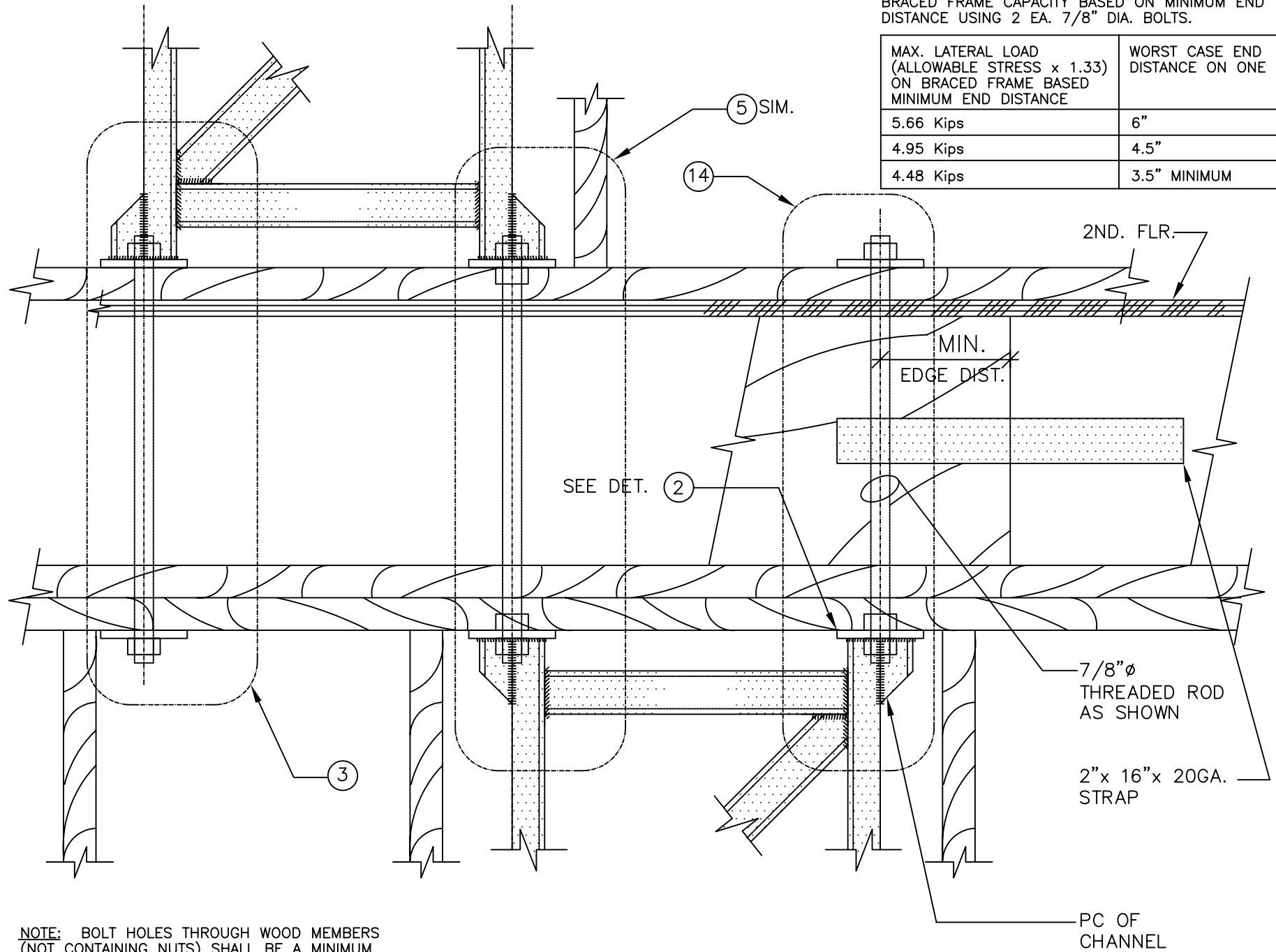


BRACED FRAME CAPACITY BASED ON MINIMUM END DISTANCE USING 2 EA. 7/8" DIA. BOLTS.

MAX. LATERAL LOAD (ALLOWABLE STRESS x 1.33) ON BRACED FRAME BASED MINIMUM END DISTANCE	WORST CASE END DISTANCE ON ONE BOLT
5.66 Kips	6"
4.95 Kips	4.5"
4.48 Kips	3.5" MINIMUM



NOTE: BOLT HOLES THROUGH WOOD MEMBERS (NOT CONTAINING NUTS) SHALL BE A MINIMUM OF 1/32" AND A MAXIMUM OF 1/16" LARGER THAN THE BOLT DIA. PER THE NDS, SECTION 8.1, 2.1.

15 OFFSET CONDITION
N.T.S.