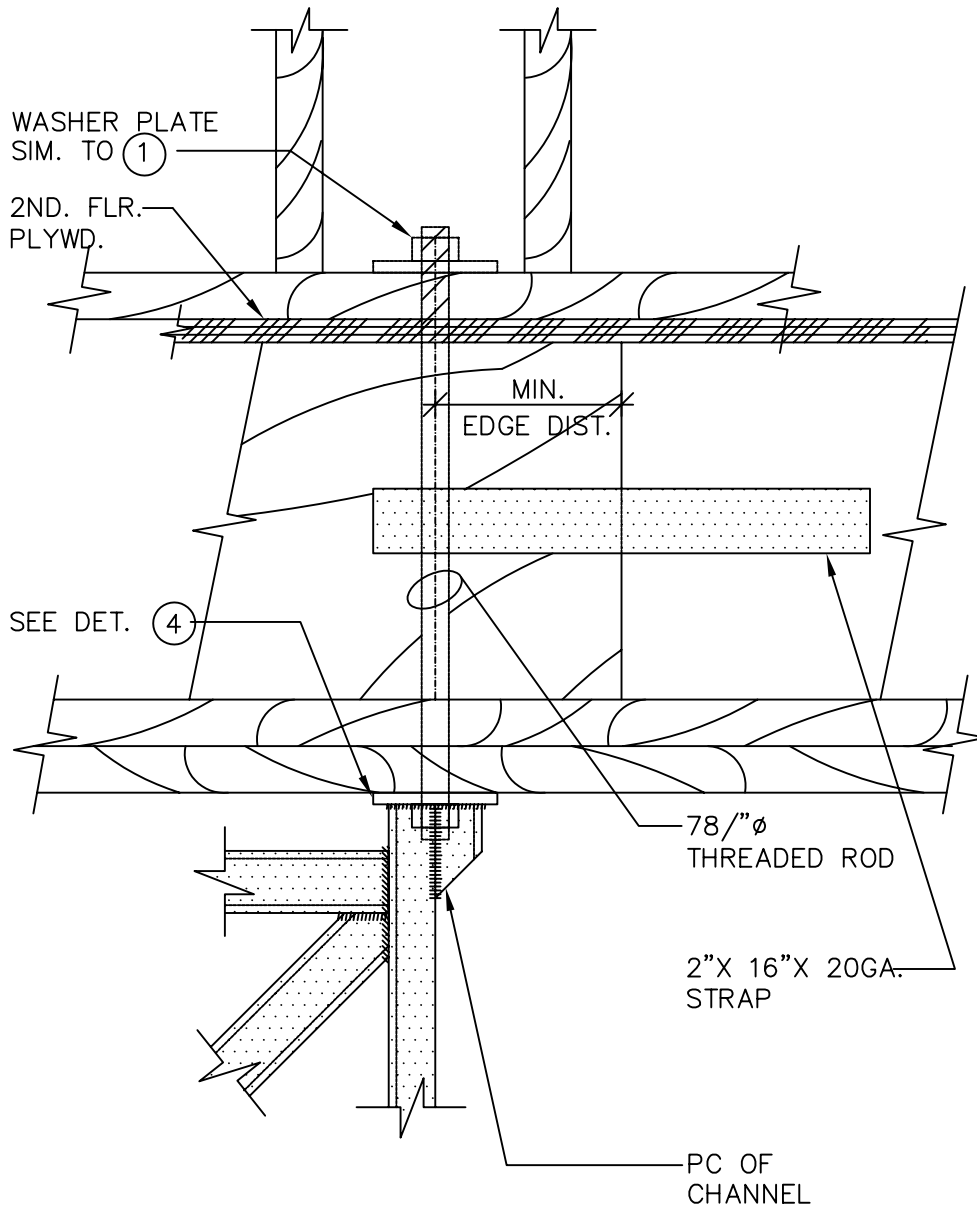


BRACED FRAME CAPACITY BASED ON MINIMUM END DISTANCE USING 2 EA. 7/8" DIA. BOLTS.

| MAX. LATERAL LOAD (ALLOWABLE STRESS x 1.33) ON BRACED FRAME BASED MINIMUM END DISTANCE | WORST CASE END DISTANCE ON ONE BOLT |
|---|--|
| 5.66 Kips | 6" |
| 4.95 Kips | 4.5" |
| 4.48 Kips | 3.5" MINIMUM |



14 COND. @ 2ND. FLOOR
N.T.S.

NOTE: BOLT HOLES THROUGH WOOD MEMBERS (NOT CONTAINING NUTS) SHALL BE A MINIMUM OF 1/32" AND A MAXIMUM OF 1/16" LARGER THAN THE BOLT DIA. PER THE NDS, SECTION 8.1, 2.1.