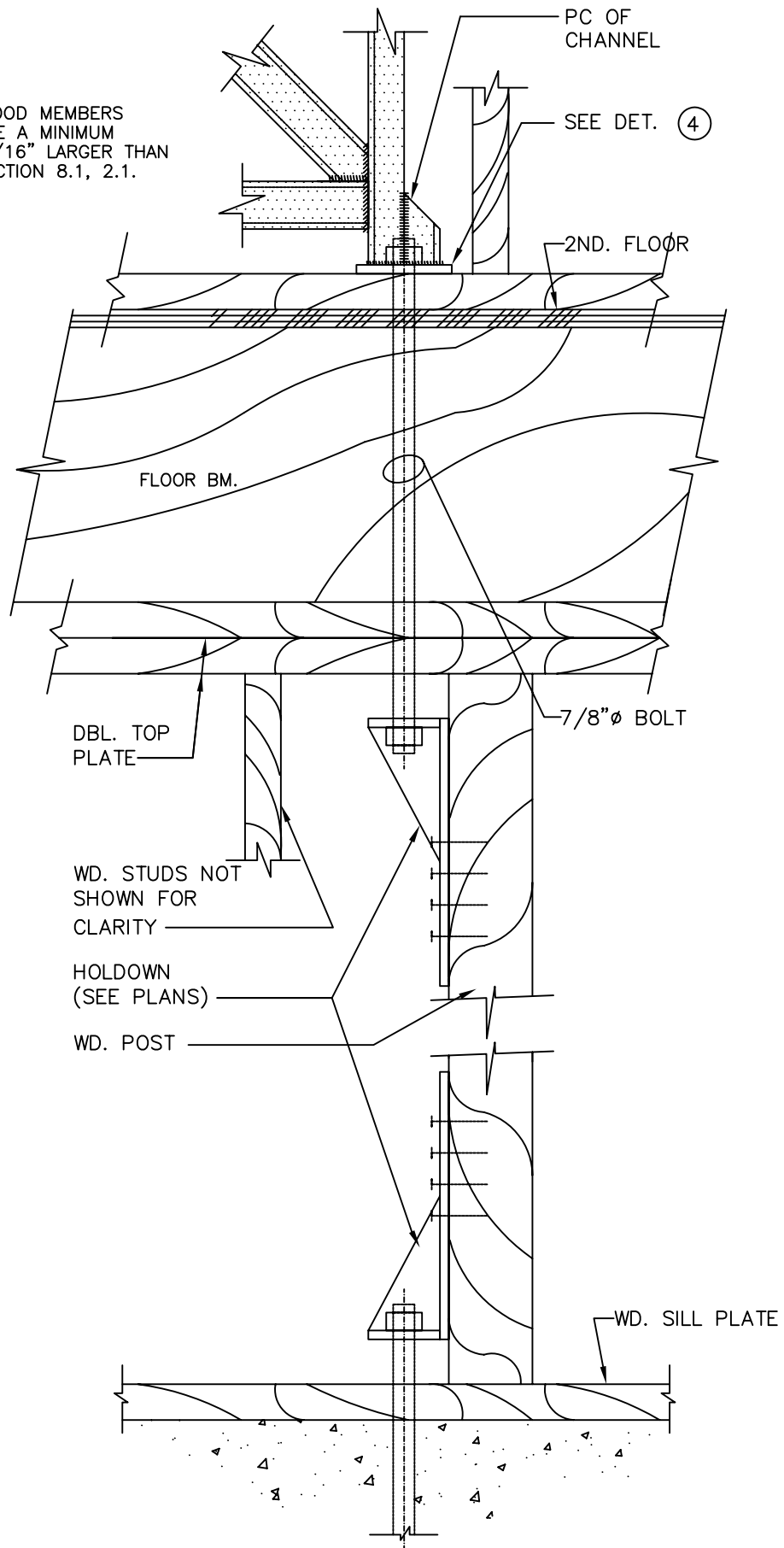


NOTE: BOLT HOLES THROUGH WOOD MEMBERS (NOT CONTAINING NUTS) SHALL BE A MINIMUM OF 1/32" AND A MAXIMUM OF 1/16" LARGER THAN THE BOLT DIA. PER THE NDS, SECTION 8.1, 2.1.



①① — DETAIL  
N.T.S.